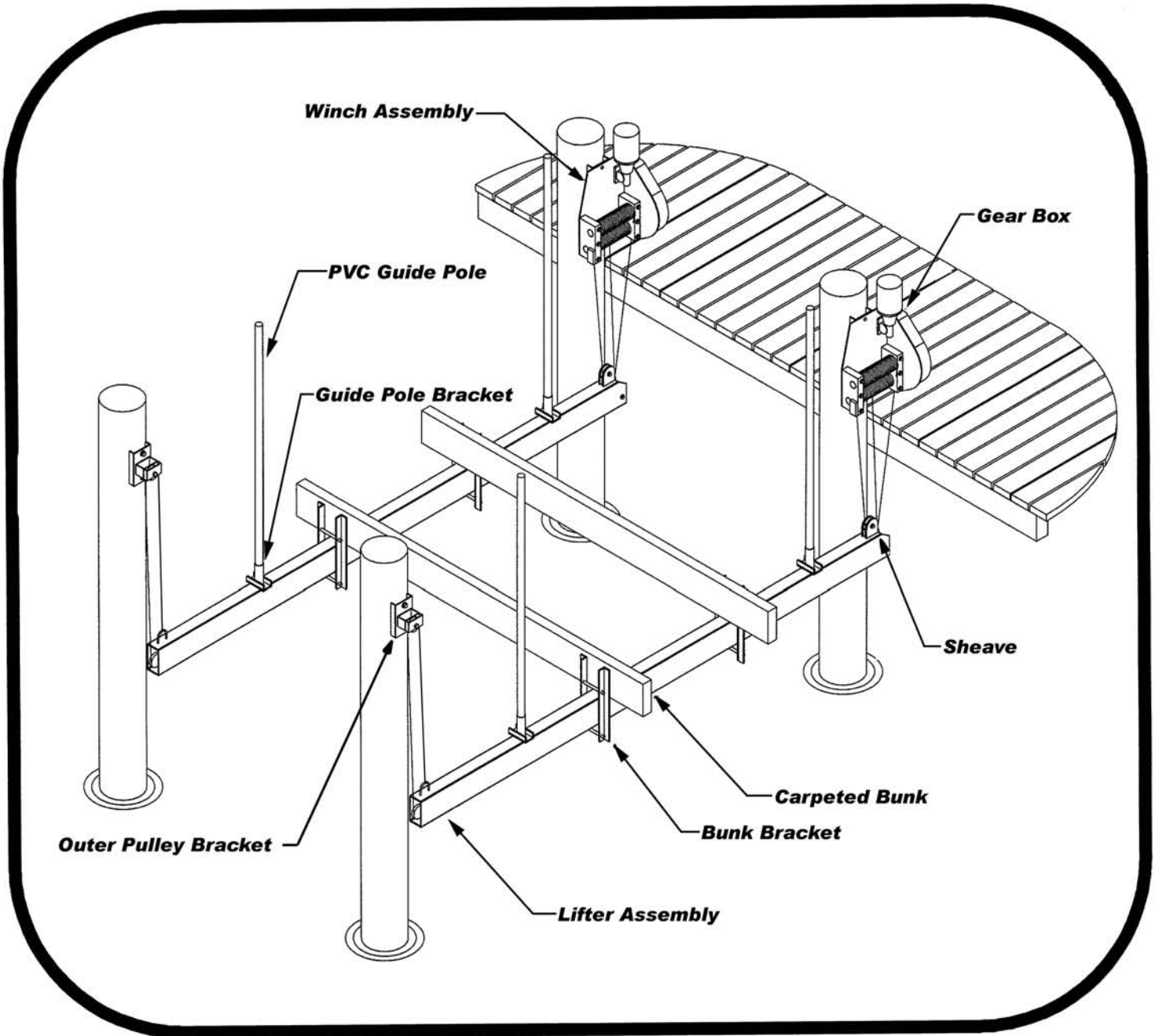


THE TOPLESS®

**Installation Manual
12,000 & 16,000 LB.**



Hi-TIDE

www.hi-tide.com

4050 Selvitz Road • Fort Pierce, Florida 34981

(772) 461-4660 1-800-544-0735 Fax (772) 461-2298

INTRODUCTION

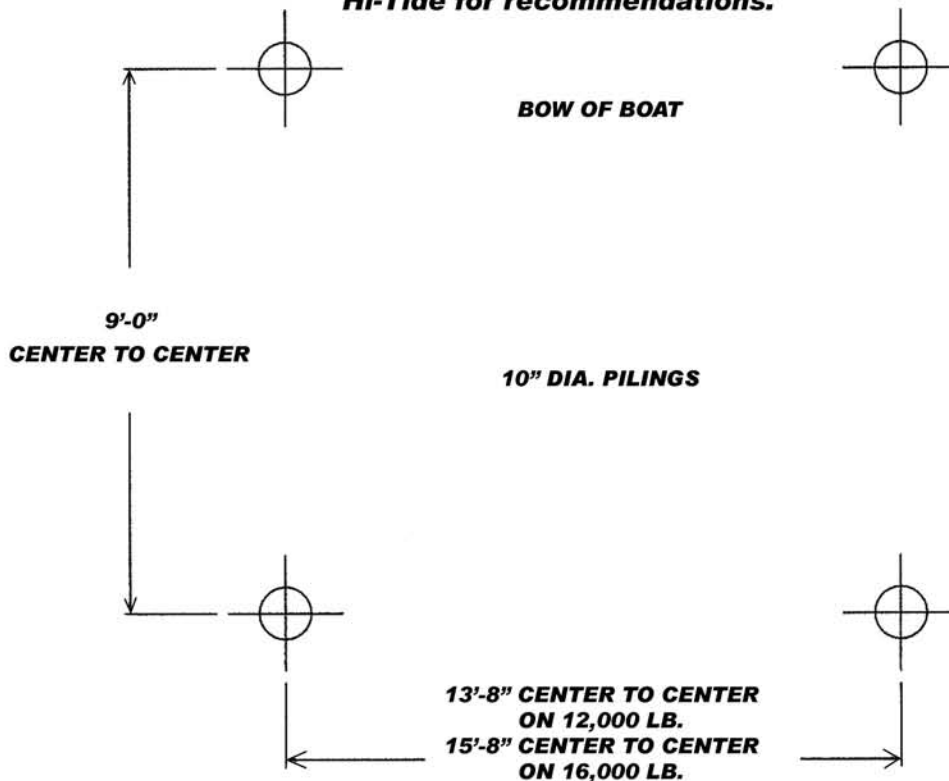
At Hi-Tide Sales, we take pride in bringing the most advanced, easy to use, minimum maintenance boatlift system to the market today. The Installation of this lift is simplified by its lightweight design and simple operation. In the pages that follow, we will take you step-by-step through the entire installation sequence, including the lifting of the boat. We urge you to read this manual before attempting an installation.

Before you begin...

The TOPLESS can be mounted to either wood or concrete pilings. The pilings are the foundation of the boatlift and must be able to carry the load of the lift and the boat to be lifted. Local or National code and common practice varies from area to area.

Step 1: Piling Layout

Standard Piling Layout as shown will accommodate a 10'6" maximum beam boat on a 12,000 lb. lift and 12'6" maximum beam boat on a 16,000 lb. lift. For wider boats, call Hi-Tide for recommendations.



General Notes:

Lifter beams are designed to lift on the side of support pilings, if dock edge overlaps any part of pilings, notch deck boards to accommodate lifter beams. The depth of water required is approximately 18" plus the hull draft of the watercraft. It is the contractor's responsibility to determine and construct suitable support fixtures and bracings for lift pilings. Call Hi-Tide as needed.

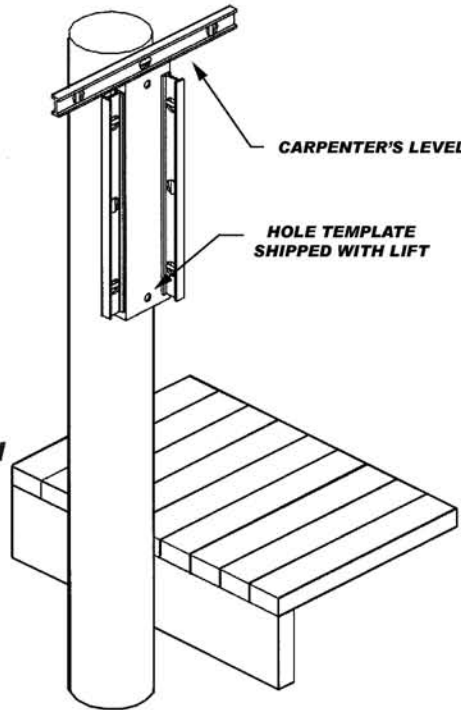
Step 2: Mounting Diagram

Drive unit must be mounted such that mounting bolts are parallel to dock provided lift pilings are square to dock.

Dock and/or deck boards must not protrude past inner edge of lift piling.

Notch or shim to level template mounting surfaces.

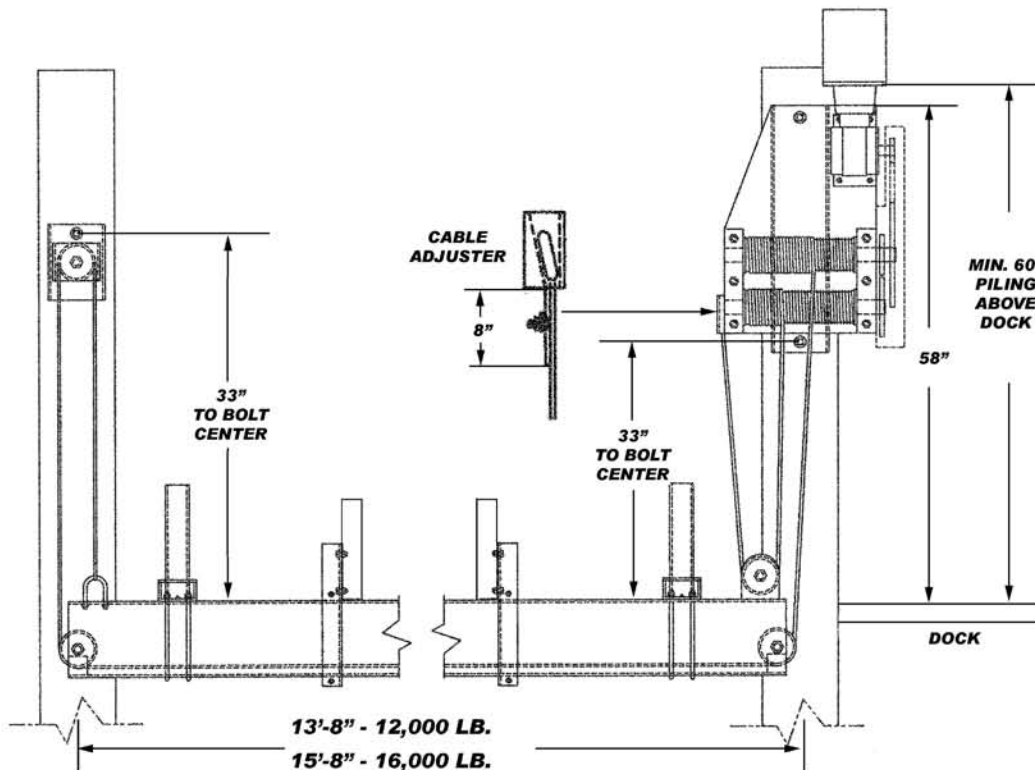
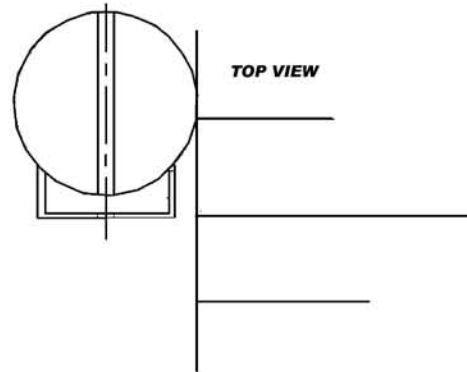
Drive unit **MUST** be **LEVEL** and **PLUMB**.



Mounting Bolts Requirements:

(6) 3/4" Diameter

Hardware not included but available from Hi-Tide.



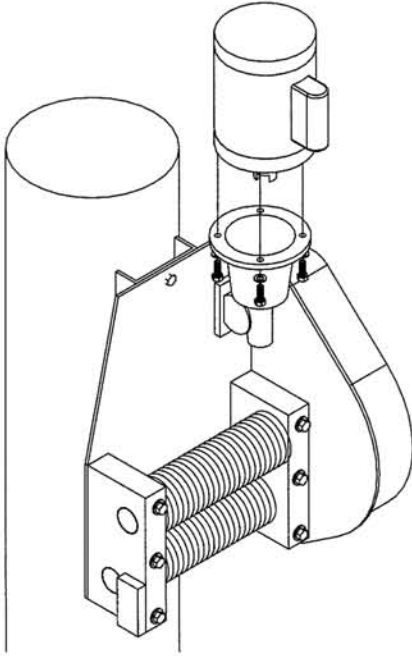
Must have a min. 60" of piling above highest point of travel of the cradle beam.

If above piling heights cannot be achieved, call Hi-Tide Sales for recommendations.

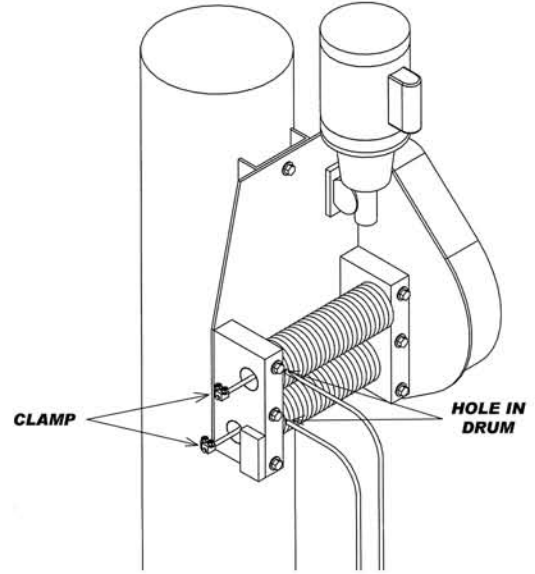
Lift has 10' available travel from dock and/or highest point of travel.

Step 3: Motor and Cable Routing

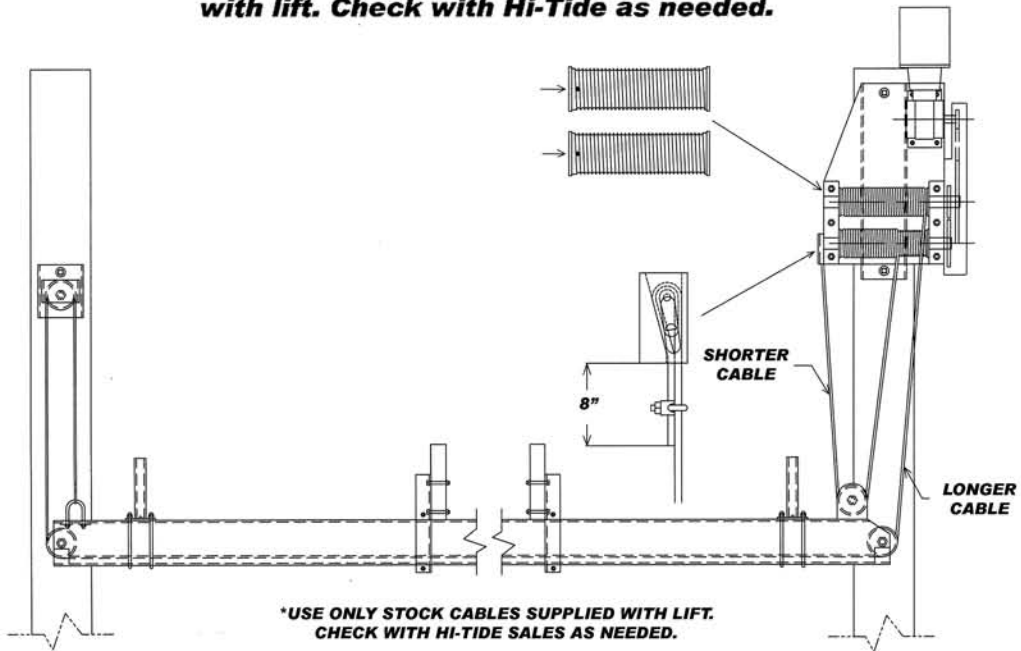
Install motors.



Clamp cables as shown. Pull back cable to allow clamp to rest inside the driveshaft.



Note: All cable drum holes must be in the same position when initially cabling lift. Use only stock length cable supplied with lift. Check with Hi-Tide as needed.



***USE ONLY STOCK CABLES SUPPLIED WITH LIFT. CHECK WITH HI-TIDE SALES AS NEEDED.**

Step 4: Wiring the Lift

Measure center distance of piling and assemble PVC conduit on land while threading the electrical wire through at the same time. A light spray of lubricant such as WD40 will make wire threading easier. Attach conduit to the backside of pilings opposite of the drive units so not to interfere with lifterbeams. Follow wiring instructions affixed to motors and/or remote controls if applicable. With correct wiring, cables should wind towards drive unit on front of winder. If necessary, follow wiring diagrams on side of motor to reverse direction of motors.

Boat lift Electrical Requirements

Having the proper electrical service to your boat lift is critical to the satisfactory operation of the lift. As a minimum the following copper wire sizes must be observed to preclude possible voltage drop and damage to electrical components.

Motor H.P.	100 Feet		200 Feet		300 Feet		400 Feet	
	120V	240V	120V	240V	120V	240V	120V	240V
(2) 3/4 or 1	#8	#10	#6	#10	#4	#10	#2	#8

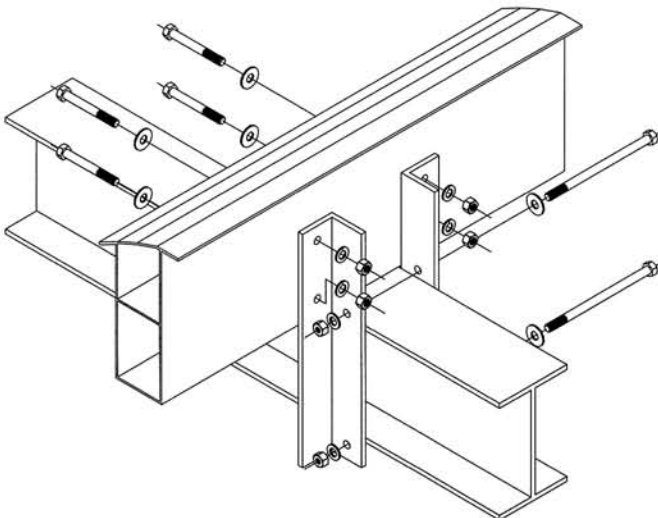
Important Notes:

- When at all possible, electrical services should be dedicated to the boat lift only to avoid interference by other electrical appliances.
- Please do not change or ignore wiring diagrams, or instructions as shown. There may be other ways to make it work, but our way is the only way approved by us (the Manufacturer).
- All lifts 16,000 Lbs. or larger must be wired for 240V for proper operation.
- The wiring suggestions and wiring diagrams referred to are not meant to supersede any national or local codes.
- HI-Tide recommends electrical work to be performed by a licensed electrical contractor.

Step 5: Constructing the Lift Cradle

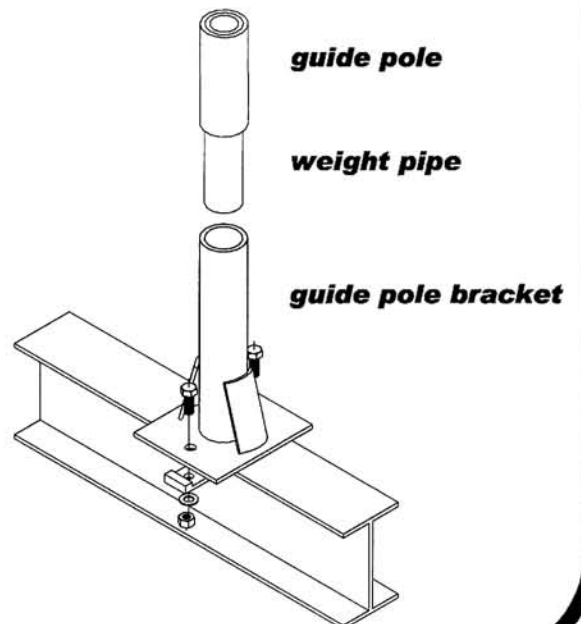
A.

Mount bunks to lifter beams in order to retain lifter beam center distances.



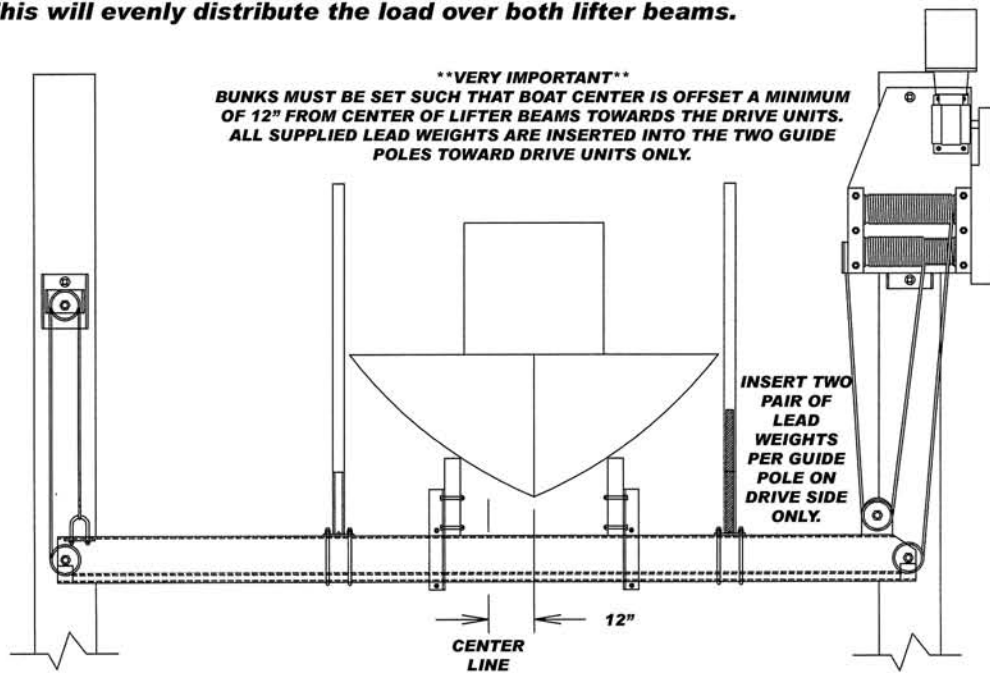
B.

Attach guide pole brackets, weight pipe, and guide poles.



Boat Fitment

Take care to clear shafts, thru-hull fittings, chines, etc. Keel of boat must not rest on lifter beam and should clear beam by at least one inch. Center of gravity of boat must be in center of lift (bow to stern). This will evenly distribute the load over both lifter beams.



Helpful Hints:

- A reference mark can be placed on a guide pole to indicate that the cradle is deep enough for the boat's hull to clear the cradle. This will assure clearance entering and leaving the cradle as the tide changes.
- For shallow water installations, a reference mark can be placed on a cable to indicate that the cradle has contacted bottom. Turning lift off at this point will prevent the cable winds from being tangled. If shallow water conditions exist, Hi-Tide strongly recommends the fitment of a limit switch.

Important Notes to Installer:

It is the responsibility of the Installer to insure that:

- 1) The Installation is completed according to the manufacturer's recommendations.
- 2) The ultimate user understands how to operate in a safe manner.
- 3) The ultimate user acknowledges the need for regular service and maintenance of the lifting equipment by an authorized Hi-Tide dealer.
- 4) The Customer is informed and understands all safety and warning labels affixed to the equipment.

No alterations or modifications may be made to Hi-Tide equipment without the expressed written consent of Hi-Tide Sales, Inc. Re-installation of Hi-Tide equipment must be performed by an authorized Hi-Tide Agent/Dealer and must be performed to the standards set forth by Hi-Tide Sales, Inc. Transfer of any remaining warranty to a new location is solely at the discretion of Hi-Tide Sales, Inc. It is the obligation of the re-installer to inform any new operators of the above conditions. Maintenance/Owners Manuals and Safety Warning Decals are available on request from Hi-Tide Sales, Inc.