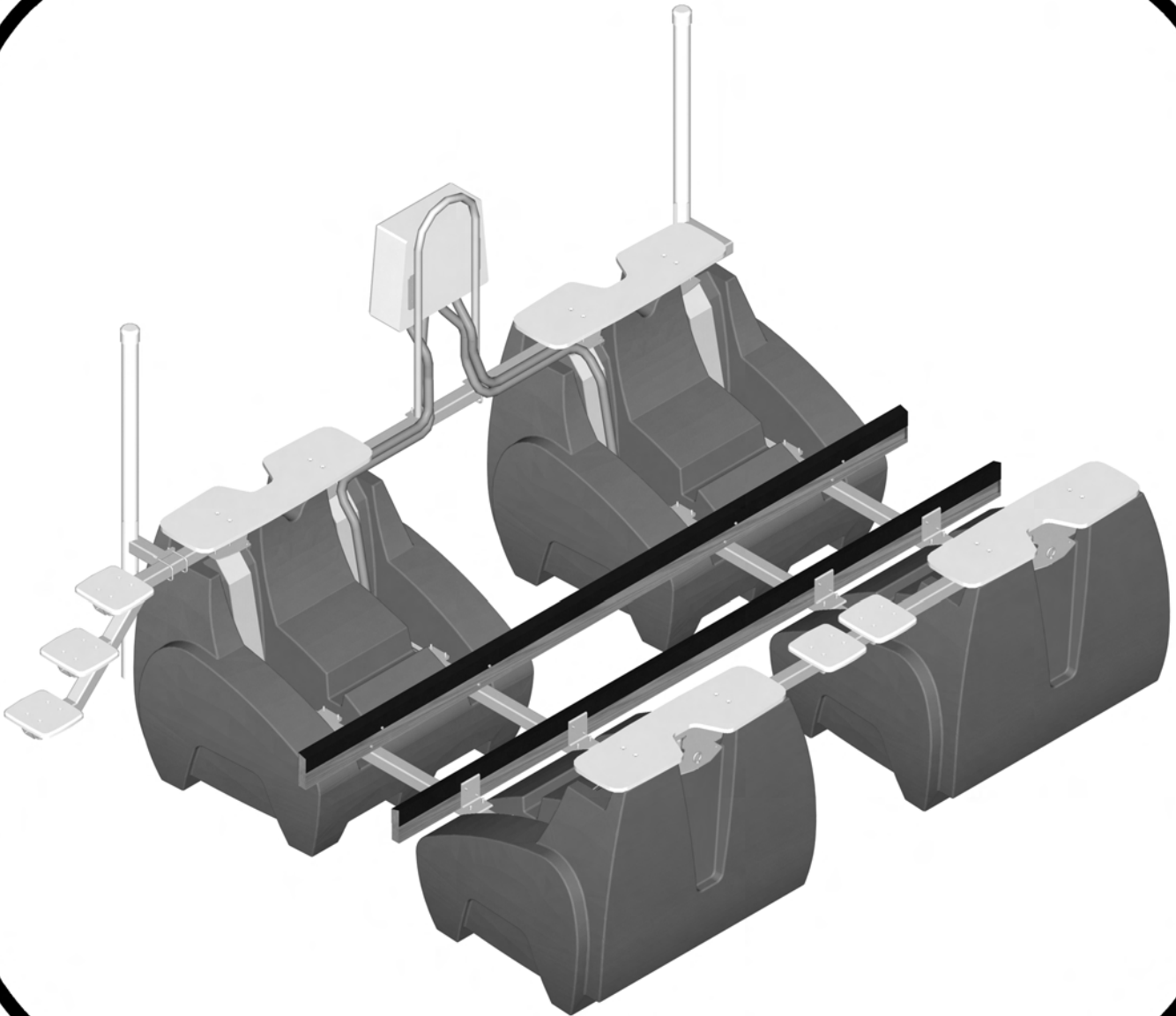


LAUNCH PAD

Owner's Manual

US Patent # 6,422,167 B1

Revised 1/30/12



www.hi-tide.com

4050 Selvitz Road, Fort Pierce, Florida 34981

(772) 461-4660 1-800-544-0735 Fax (772) 461-2298

OPERATION

THANK YOU

We would like to take a moment to thank you for purchasing a LAUNCH PAD LIFT. We believe our lifts are the easiest to use on the market today, and know that your new lift will give you many years of trouble free service. In the following pages you will find the necessary information for the maintenance of your new lift, as well as instructions on its use. Your new LAUNCH PAD LIFT is the result of over thirty years of extensive research, design and development in south Florida where corrosion, barnacles, and severe weather makes lifting boats absolutely necessary. As the leader in the industry, the LAUNCH PAD LIFT offers features provided exclusively by Hi-Tide Sales, Inc.

GENERAL OPERATION

Familiarize yourself with the Pump Box and the location of the BLOWER ON SWITCH, TANK VALVES, and MANIFOLD DUMP VALVE. These are the basic components for operating the LAUNCH PAD and are shown on the opposite page.

LOWERING THE LIFT

- 1) Open all tank valves.*
- 2) Open manifold dump valve.*
- 3) Allow lift to submerge. (Step plates will remain above water)*
- 4) Untie lift safety lines from boat.*
- 5) Float boat away from lift.*
- 6) Everyone may board the boat after the boat clears the lift.*

RAISING THE LIFT

- 1) Float boat into established pick up position on lift.*
- 2) Tie off lift safety lines to boat.*
- 3) Everyone must exit boat before lifting.*
- 4) Close dump valve.*
- 5) Switch blower to the on position.*
- 6) When lift is fully raised, air bubbles will be visible exiting from all tanks.*
- 7) Close tank valves.*
- 8) Switch blower to the off position.*

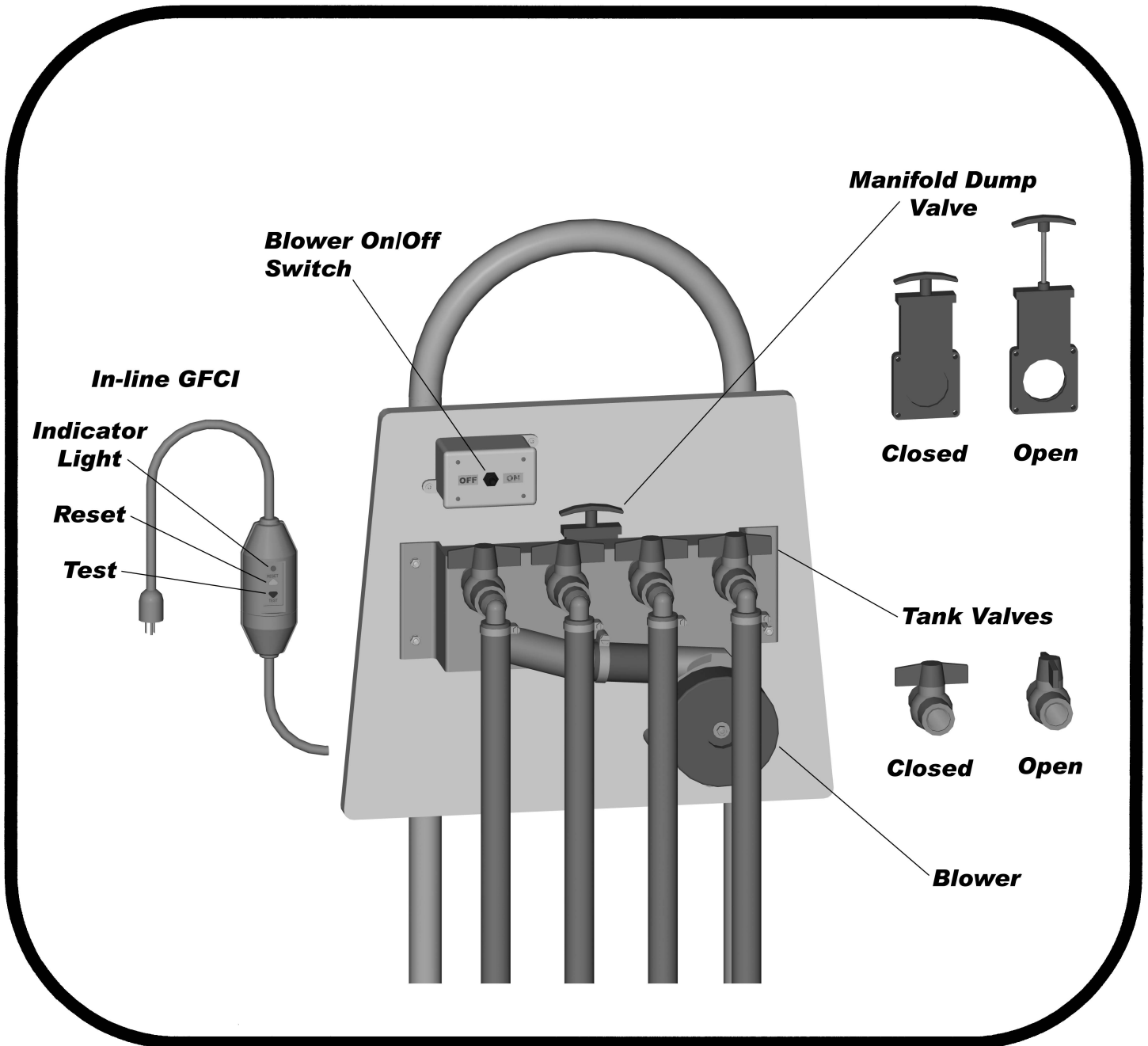
SAFETY TIPS

- * Test GFI on a monthly basis.*
- * Keep Children away.*
- * Do not overload the lift.*
- * Do not power onto the lift cradle as this will result in damage to the lift and/or boat.*
- * Do not allow yourself to be distracted or walk away from lift during operation.*
- * Do not step on Step Plates when lift is submerged.*
- * Keep hands and clothing away from blower fan during operation.*
- * Make sure the bilge pump is set for automatic or remove the drain plug.*
- * Significant water accumulation in the bilge may overload the lift.*
- * Lift is not designed for lifting human beings.*
- * No persons should be under the boat while it is in suspended position.*

HELPFUL HINTS

- * Weight must be distributed equally side to side and bow to stern before lifting. Otherwise, the boat will not center properly and appear to be crooked on lift.*
- * Tank valves should always be opened or closed simultaneously when operating.*

PUMP BOX CONTROL PANEL



PREVENTATIVE MAINTENANCE

Because of the harsh environment in which the LAUNCH PAD can be installed, it is very important to inspect your LAUNCH PAD occasionally to ensure it is at peak performance. On a monthly basis inspect the following:

- 1) GFI trips and resets properly when the TEST and RESET buttons are pressed.**
- 2) All air hoses are firmly attached and no leaks are apparent.**
- 3) All the aluminum components are structually sound and no heavy corrosion is visible.**
- 4) The wooden bunks are structually sound with no severe cracking.**
- 5) All mounting attachment brackets are secure.**

Most importantly, run your blower fan at least once a month even during the off season. Just switch the blower on for about a minute to keep the motor contacts and brushes clean.

WARRANTY

HI-TIDE SALES, INC. warrants the LAUNCH PAD as follows:

A) The polyethylene floats will be free from defects in material and workmanship for a period of TEN (10) years from the date of delivery to the original purchaser.

B) The structural integrity of the aluminum and stainless steel structural members will be free from defects in material and workmanship for a period of THREE (3) years from the date of delivery to the original purchaser. Under no circumstances will this warranty coverage extend to damage by electrolysis and corrosion.

C) The electric motor will be free from defects in material and workmanship for a period of TWO (2) years from the date of delivery to the original purchaser.

D) The remaining components will be free from defects in material and workmanship for a period of ONE (1) year from the date of delivery to the original purchaser.

HI-TIDE SALES, INC. agrees to provide the necessary parts for the LAUNCH PAD during the warranty periods described above; provided HI-TIDE SALES, INC. receives notice of any such defects within the applicable specified warranty period.

This warranty shall be deemed void and unenforceable and the LAUNCH PAD shall be deemed sold "AS IS" and "WITH ALL FAULTS," with the entire risk as to quality and performance to be borne by the original purchaser without any implied warranties of fitness or merchantability if any of the following should occur:

A) If the LAUNCH PAD should be installed at any location other than the original purchaser's address specified in the sales agreement.

B) If the LAUNCH PAD shall be used in any commercial fashion or other than in accordance with the recommendations obtained in the operators manual provided to the original purchaser.

C) If the LAUNCH PAD is damaged by an event that is not the company's fault; such as, but not limited to, damage caused by accidents, misuse, overloading, negligence, alteration, modification, or abusive operation.

D) If the original purchaser or anyone not authorized by HI-TIDE SALES, INC. attempts to make any repairs to the LAUNCH PAD or to replace any of its component parts, or otherwise alter the LAUNCH PAD.

This warranty further does not cover any damages whatsoever including incidental and/or consequential damages resulting from any adverse weather conditions, acts of God or other causes not due to a defect in materials and/or workmanship of the LAUNCH PAD.

NOTE: Some states do not allow the exclusion or limitation of incidental or consequential damages so the above limitation or exclusion may not apply to you.

The provisions contained in this warranty shall constitute the entire Warranties for the LAUNCH PAD. Any statements made relating to the LAUNCH PAD prior to the delivery of this warranty to the original purchaser and any descriptions or other information contained in any brochure describing the LAUNCH PAD are not intended to and do not form any part of the sales agreement and are not a part of this warranty and are superseded by the terms of this warranty.



www.hi-tide.com

4050 Selvitz Road, Fort Pierce, Florida 34981

(772) 461-4660 1-800-544-0735 Fax (772) 461-2298