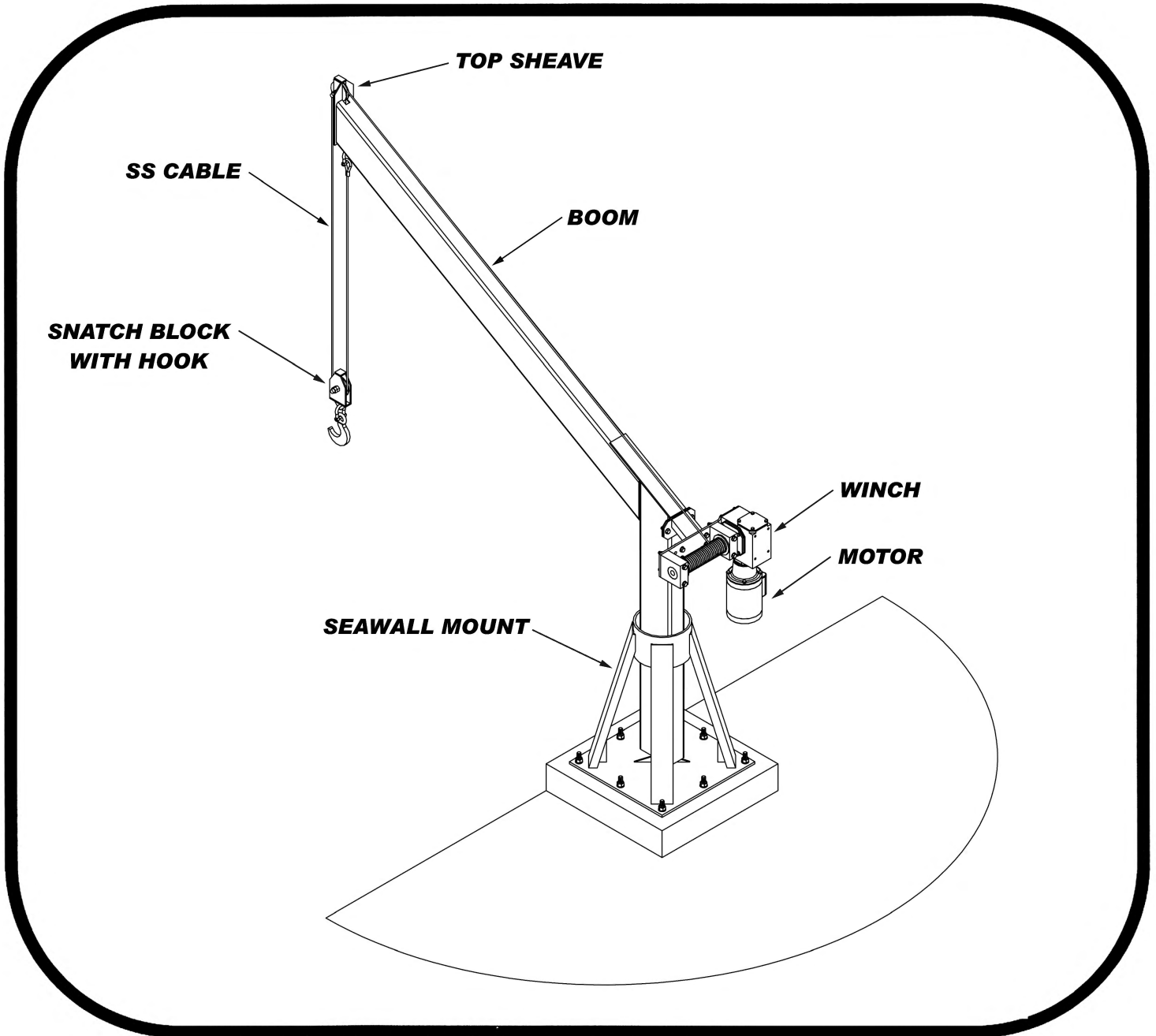




DAVITS

Installation Manual
2,500, 5,500, and 6,500 Lb.

Revised 6-6-16



www.hi-tide.com

4050 Selvitz Road • Fort Pierce, Florida 34981
(772) 461-4660 1-800-544-0735 Fax (772) 461-2298

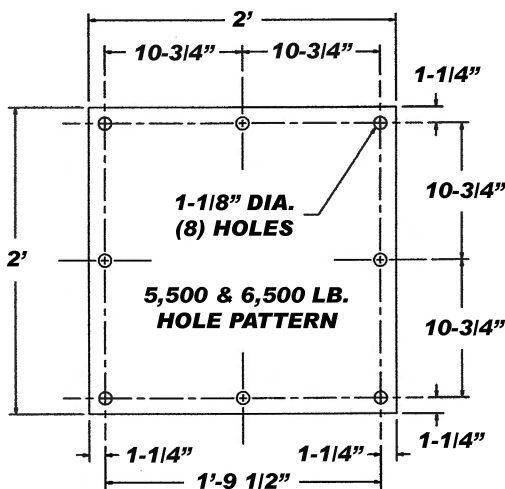
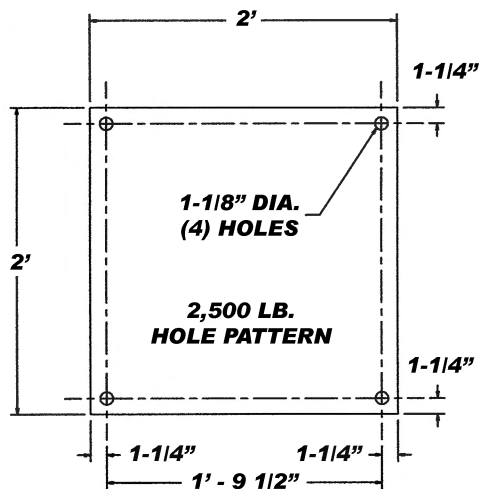
INTRODUCTION

At Hi-Tide Sales, we take pride in bringing the most advanced, easy to use, minimum maintenance boat lift system to the market today. The Installation of this lift is simplified by its simple design and operation. In the pages that follow, we will take you step-by-step through the entire installation sequence, including the lifting of the boat. We urge you to read this manual before attempting an installation.

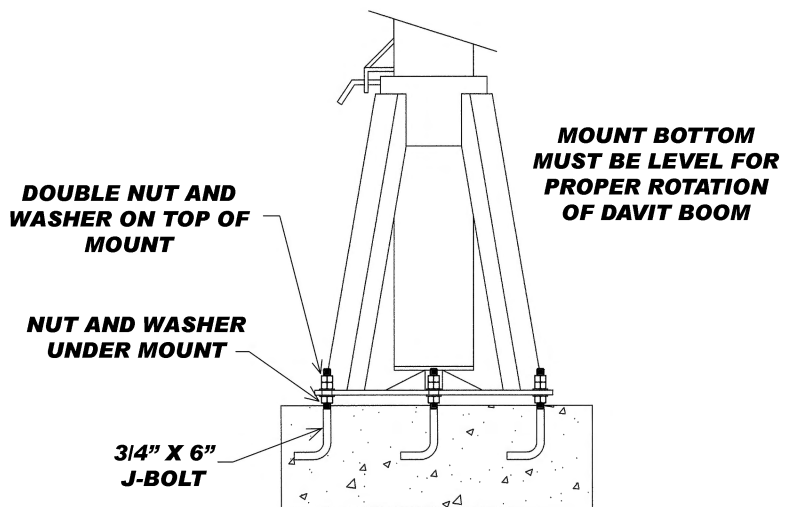
Before you begin...

The DAVIT can be mounted to either a wood piling (2,500 lb. only) or a concrete seawall. The piling or seawall is the foundation of the Davit and must be able to carry the load of the lift and the boat to be lifted. Local or National code and common practice varies from area to area. Consult the Davit sales literature or call Hi-Tide for special applications.

Step 1: Attaching Mount (Seawall)



TYPICAL SETUP



MINIMUM CONCRETE COUNTER BALANCE REQUIRED PER MOUNT

2,500 LB.	2 CU. YD.
5,500 LB.	3 CU. YD.
6,500 LB.	4 CU. YD.

NOTE:

TO SWING A BOAT BETWEEN THE DAVITS, THEY MUST BE SPACED (CENTER TO CENTER) TWO FEET MORE THAN THE OVERALL LENGTH OF THE VESSEL TO BE LIFTED.

CONCRETE SHOULD BE 3,000 PSI MINIMUM AND CURE FOR ONE WEEK BEFORE LOAD IS PLACED ON THE DAVIT.

CHECK ROTATION OF DAVIT BEFORE LOAD IS PLACED ON THE DAVIT, ADJUST LOWER NUTS TO RAISE OR LOWER MOUNT TO MAKE LEVEL IN ALL DIRECTIONS.

Step 1: Attaching Mount (Piling)

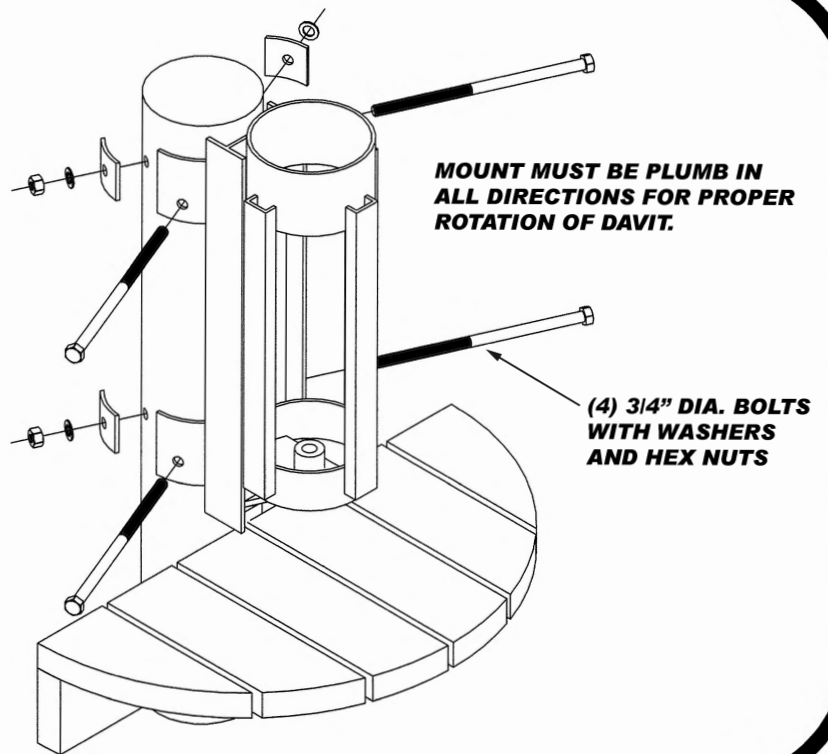
**NOTE: 30" MINIMUM PILING HEIGHT
REQUIRED ABOVE DOCK**

(4) 3/4" DIA. BOLTS REQUIRED

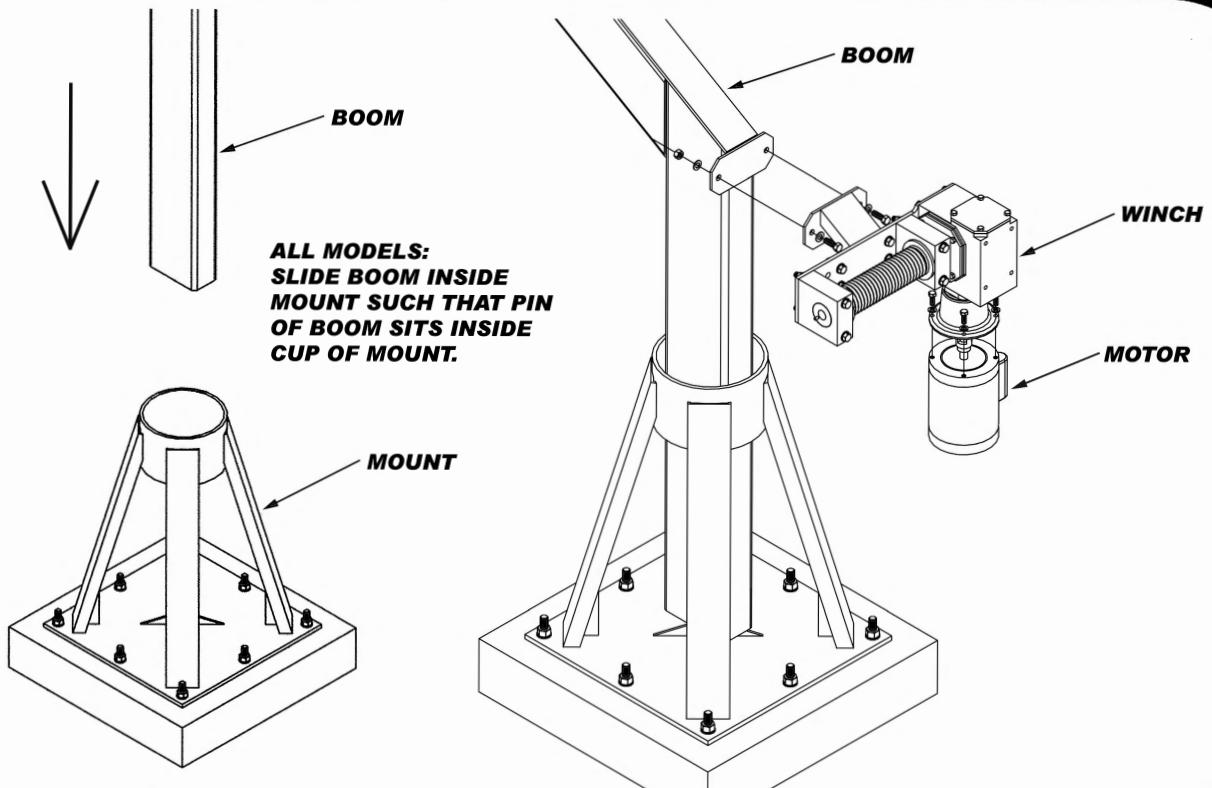
**PILING MOUNT TO BE INSTALLED ON THE
BACKSIDE (DOCK SIDE) OF PILING. MOUNT
AS LOW ON THE PILING AS POSSIBLE,
STILL SLOWING SUFFICIENT CLEARANCE
FOR ROTATION. PILING MAY NEED TO BE
CUT.**

**TO SWING A BOAT BETWEEN THE DAVITS,
THEY MUST BE SPACED (CENTER TO
CENTER) TWO FEET MORE THAN THE
OVERALL LENGTH OF THE VESSEL TO BE
LIFTED.**

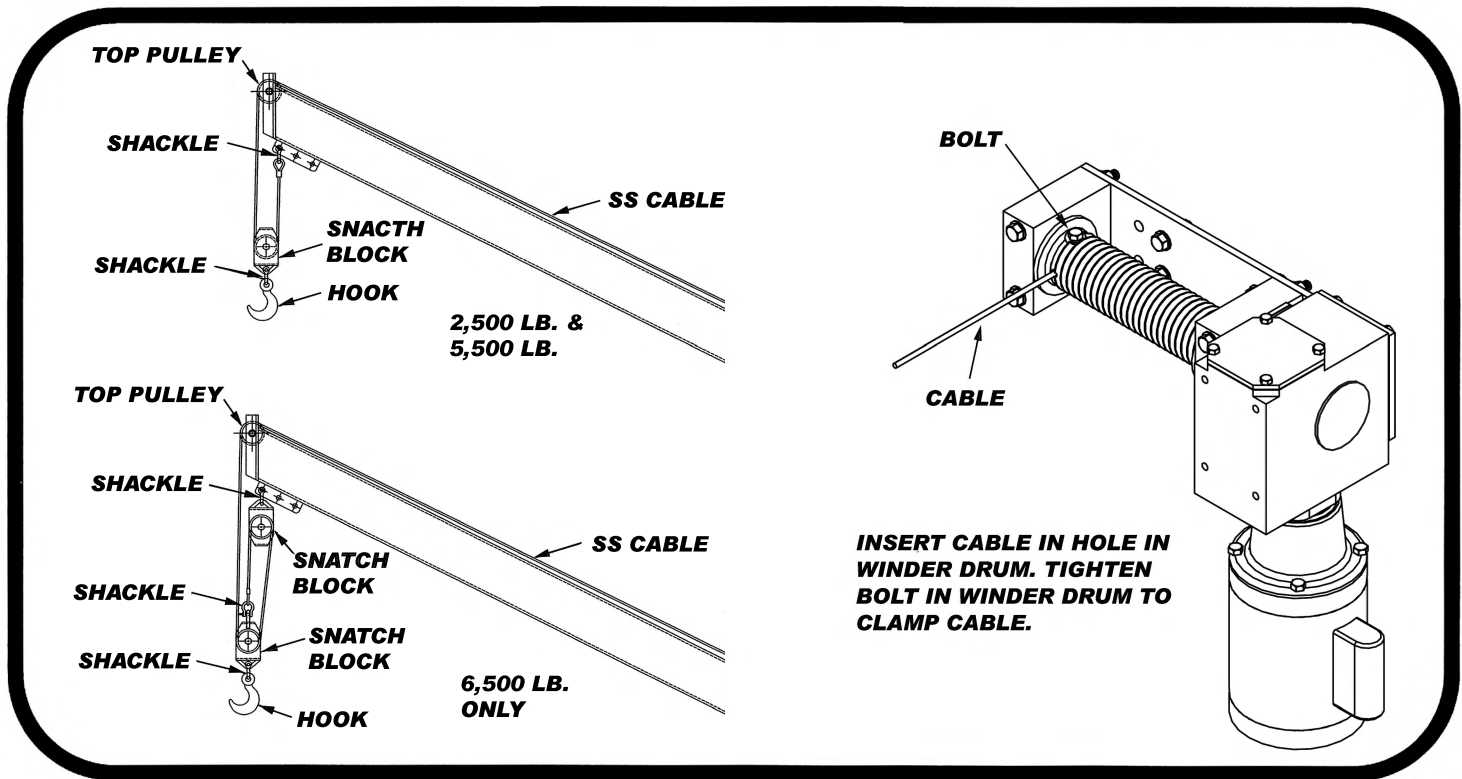
**CHECK ROTATION OF DAVIT BEFORE LOAD
IS PLACED ON THE DAVIT, NOTCH OR SHIM
PILING SUCH THAT MOUNT IS PLUMB IN
ALL DIRECTIONS.**



Step 2: Installing Boom, Winch, Motor



Step 3: Cable Routing



Step 4: Wiring the Lift

Follow wiring instructions affixed to motors and/or remote controls if applicable. With correct wiring, cables should descend off the winder toward the top of spool. The cables will also wind toward the drive unit. If necessary, follow wiring diagrams on side of motor to reverse direction of motors.

Boat lift Electrical Requirements

Having the proper electrical service to your boat lift is critical to the satisfactory operation of the lift. As a minimum the following copper wire sizes must be observed to preclude possible voltage drop and damage to electrical components.

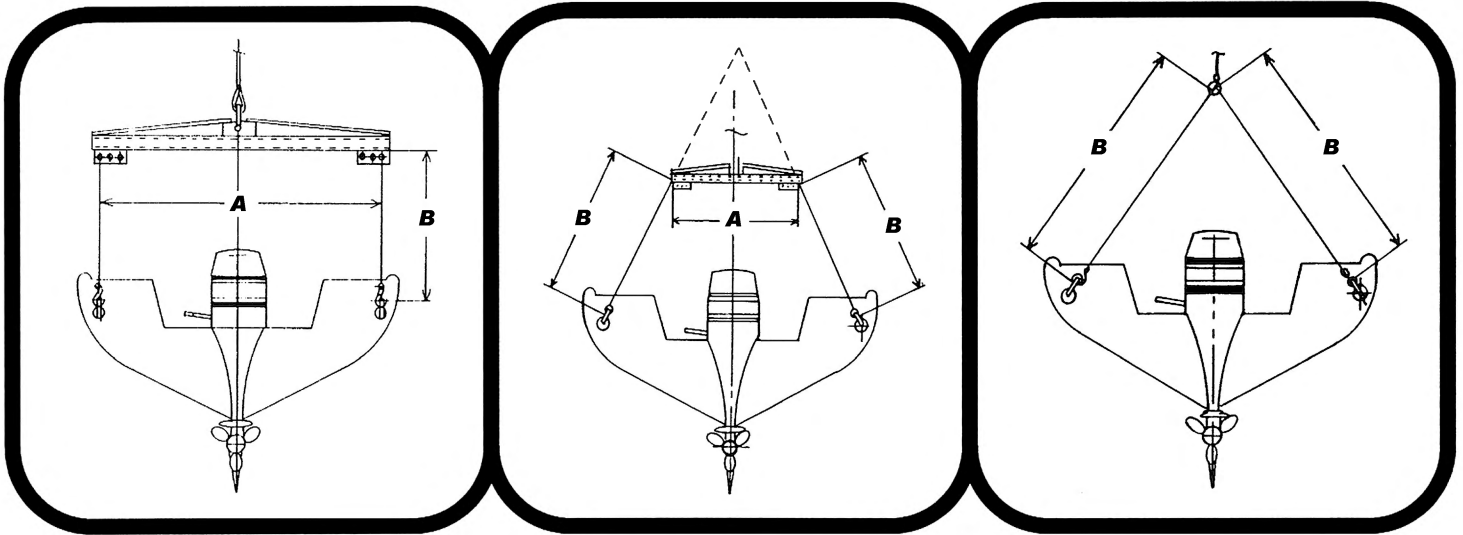
Motor H.P.	100 Feet		200 Feet		300 Feet		400 Feet	
	120V	240V	120V	240V	120V	240V	120V	240V
(1) 3/4 or 1	#8	#10	#6	#10	#4	#10	#4	#8
(2) 3/4	#8	#10	#6	#10	#4	#10	#2	#8
(2) 1	-	#10	-	#10	-	#10	-	#8

Important Notes:

- When at all possible, electrical services should be dedicated to the boat lift only to avoid interference by other electrical appliances.
- Please do not change or ignore wiring diagrams, or instructions as shown. There may be other ways to make it work, but our way is the only way approved by us (the Manufacturer).
- All lifts with (2) 1 hp motors must be wired for 240V for proper operation.
- The wiring suggestions and wiring diagrams referred to are not meant to supersede any national or local codes.
- Hi-Tide recommends electrical work to be performed by a licensed electrical contractor.

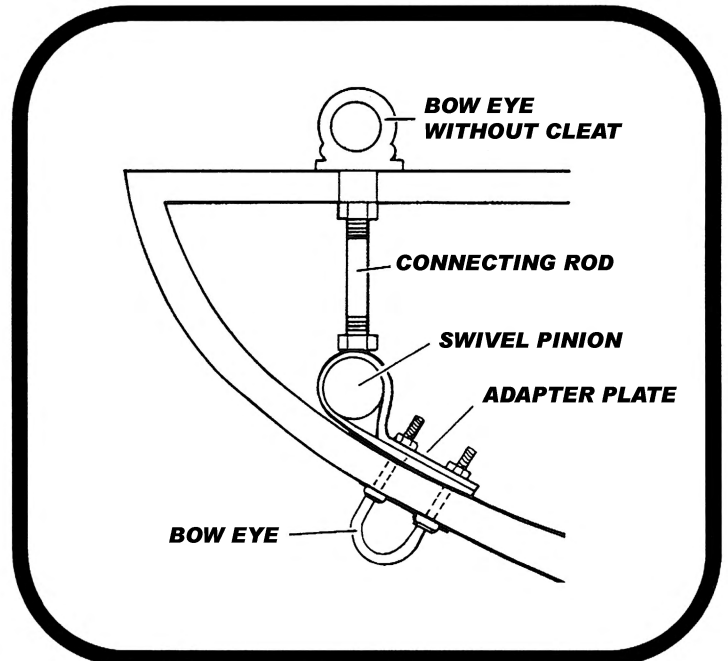
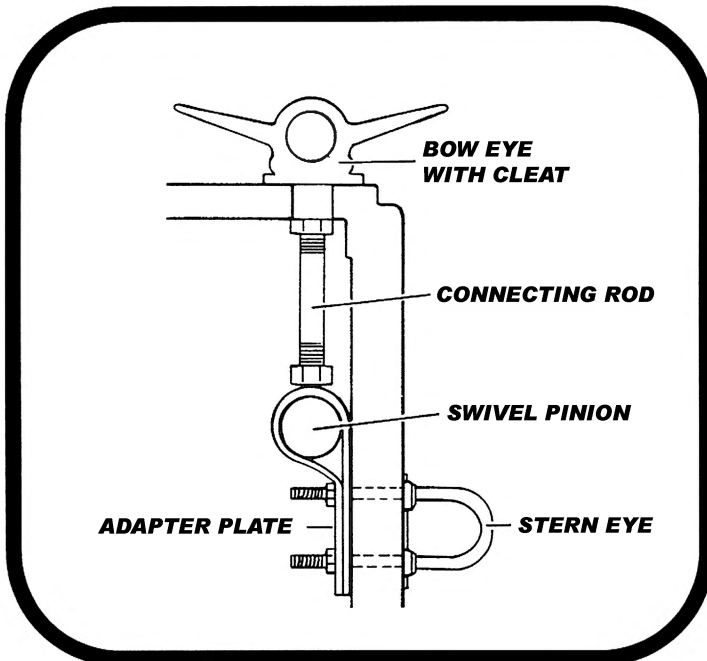
Spreader Bar Selection

- 1) The angle of the cable should be in-line with the angle of the lifting eyes
- 2) Measure distance A and B to determine spreader bar length and cable length required.



Lifting the Boat

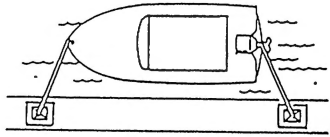
- 1) Boats to be lifted must have authentic lifting rings. Such rings are recognized by their heavy appearance and the presence of a connecting rod in the hull, as illustrated. Lifting rings are available at marine supply stores and boat dealer's parts departments.



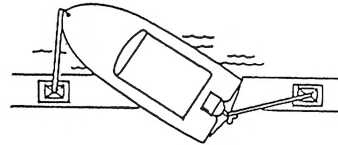
- 2) **Note: Davits are NOT designed for lifting people or for lifting loads over people. DO NOT ALLOW any person in the boat or under the boat while it is suspended. After connecting the lifting cables, if you can not disembark to the dock or land, a marine ladder is recommended.**
- 3) **After the boat is lifted, the drain plug should be removed to allow rain water drainage. The bow should be raised slightly higher than the stern to allow water to drain. (water accumulation is the most common cause of davit failure) Be sure to install the drain plug before putting vessel back in the water.**

Inboarding your Boat

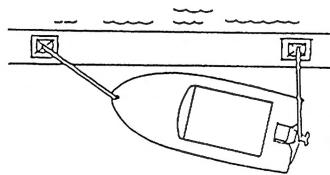
1. RELEASE LOCKS ON BASE OF DAVITS



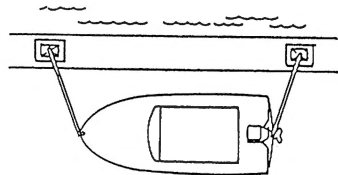
2. PULL INWARD ON STERN OF BOAT



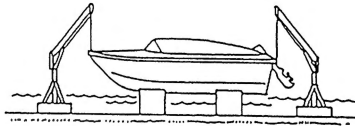
3. CONTINUE PULLING UNTIL BOW IS OVER SEAWALL



4. PULL BOW TO ALIGN WITH SEAWALL OR CHOCKS



5. ENGAGE LOCKS ON BASE AND LOWER BOAT ON CHOCKS IF USED



Important Notes to Installer:

It is the responsibility of the Installer to insure that:

- 1) The Installation is completed according to the manufacturer's recommendations.**
- 2) The ultimate user understands how to operate in a safe manner.**
- 3) The ultimate user acknowledges the need for regular service and maintenance of the lifting equipment by an authorized Hi-Tide dealer.**
- 4) The Customer is informed and understands all safety and warning labels affixed to the equipment.**

No alterations or modifications may be made to Hi-Tide equipment without the expressed written consent of H-Tide Sales, Inc. Re-installation of Hi-Tide equipment must be performed by an authorized Hi-Tide Agent/Dealer and must be performed to the standards set forth by Hi-Tide Sales, Inc. Transfer of any remaining warranty to a new location is solely at the discretion of Hi-Tide Sales, Inc. It is the obligation of the re-installer to inform any new operators of the above conditions. Maintenance/Owners Manuals and Safety Warning Decals are available on request from Hi-Tide Sales, Inc.